



### GLDA01B



**Global Limit Switches Series GLS: Top Plunger, 1NC 1NO SPDT Snap Action, 0.5 in - 14NPT conduit**

*Actual product appearance may vary.*

#### Features

- Designed to IEC standard for world-wide applications
- UL, CSA, and CE
- International conduit sizes
- Direct PLC interface compatible (two circuit)
- Modular construction reduces maintenance parts costs
- Designed for ease of installation
- Variety of basic switch versions
- Wide choice of actuators

#### Potential Applications

- Machine tools: metal fabrication equipment, presses, transfer lines and special machinery
- Material handling equipment: conveyors, elevators, cranes, and hoists
- Packaging machinery and process equipment
- Textile machinery
- Construction machinery and equipment, vehicles and lift trucks

#### Description

The GLS series limit switches are specifically designed for world-wide applications and are supported by Honeywell global resources for sale and after sale service.

Product Specifications	
Availability	Global
Operating Force (O.F.)	16,0 N [3.60 lb]
Pretravel (P.T.)	3,0 mm [0.12 in]
Overtravel (O.T.)	3,0 mm [0.12 in]
Differential Travel (D.T.)	0,9 mm [0.035 in]
Product Type	EN50041/47 Global Limit Switch
Actuator	Top Plunger
Lever Style	None
Circuitry	1NC 1NO SPDT Snap Action
Ampere Rating	10 A (Thermal)
Supply Voltage	600 Vac and 250 Vdc max.

Housing Material	Plastic
Termination Type	0.5 in - 14NPT conduit
Housing Type	EN 50047
Series Name	GLS MIN-DIN
Shock	50 g per IEC 68-2-27c (w/o Actuator)
Vibration	10 g per IEC 68-2-6 (w/o Actuator)
Sealing	NEMA 1, 12, 13 IP66
Approvals	UL, CSA, CE
CSA File #	LR94369-3
UL File #	E37138 & E157416
Mechanical Life	15 million
Operating Temperature Range	-40 °C to 85 °C [-40 °F to 185 °F]
Agency Approvals and Standards	IEC 947-5-1, EN60947-5-1, UL508, UL746-C
UNSPSC Code	302119
UNSPSC Commodity	302119 Switches and controls and relays
Sealed	Industrial
Operating Position (O.P.)	18,0 mm [0.71 in]

---

**MTG-GL-173**

REPLACES  
DRAWING NUMBER  
AO18-262  
AO18-293  
CO-000083  
CO-000106  
CO/395  
WEIR 6/99

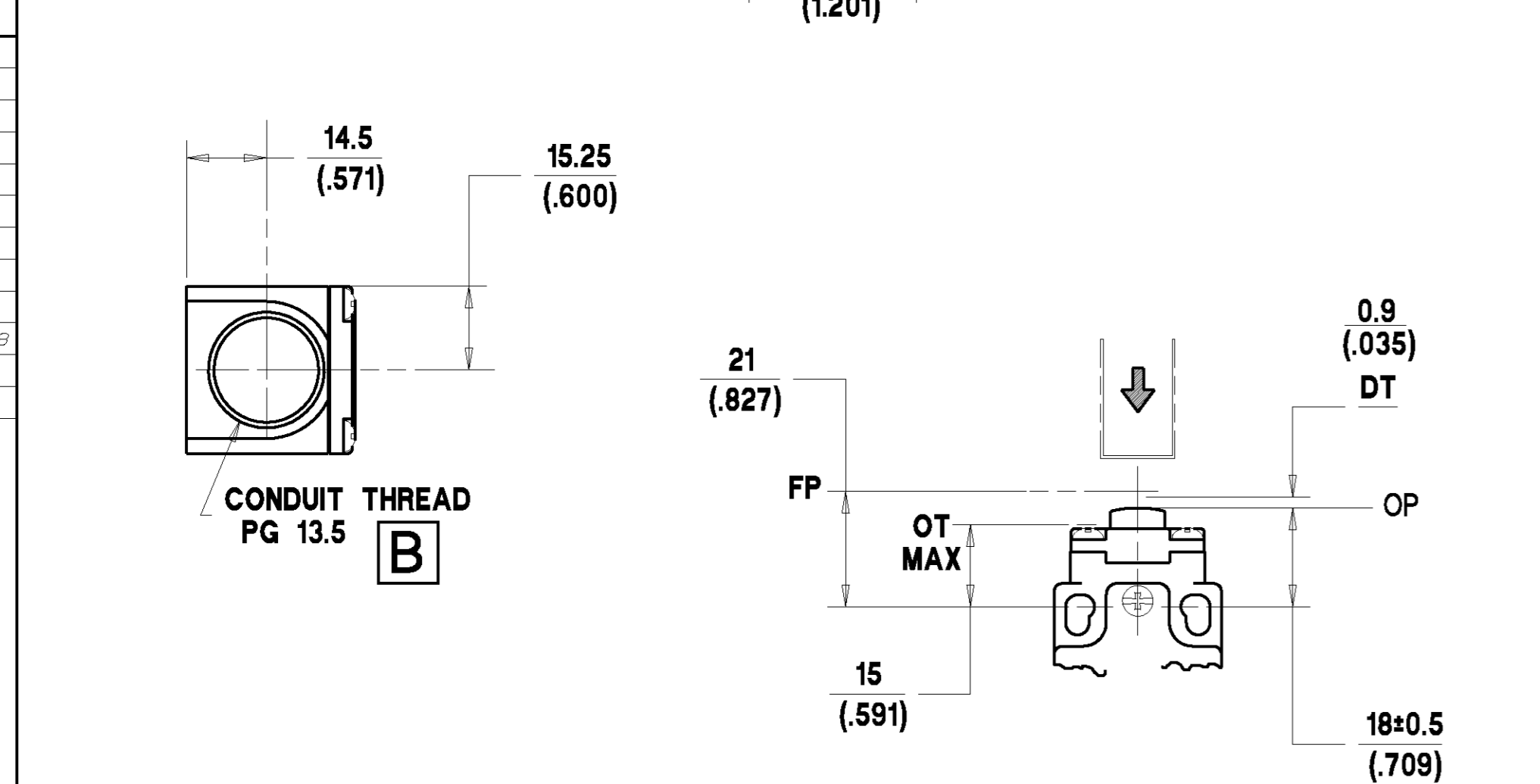
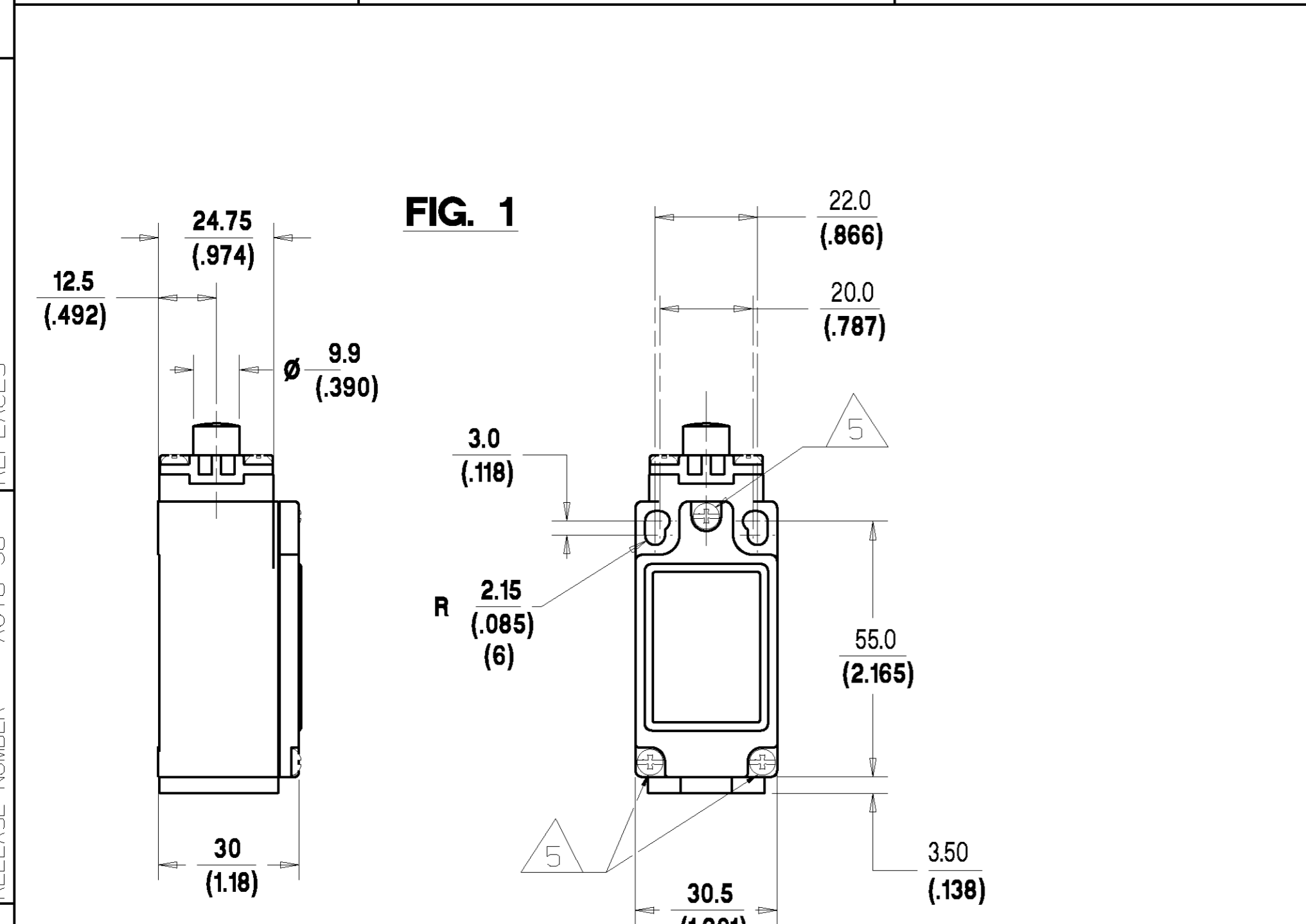
REVISIONS  
5 7/96  
6 12/96  
7 7/97  
8 8/97  
9 CO/395  
1 WEIR 6/99

MODIFY ON CAD3D SYSTEM ONLY

DRAWN M. LOCH  
CHECK I. WEIR  
DESIGN J. BOYD  
AUTHOR P. TRICKETT

**Honeywell** **LIMIT SWITCH**

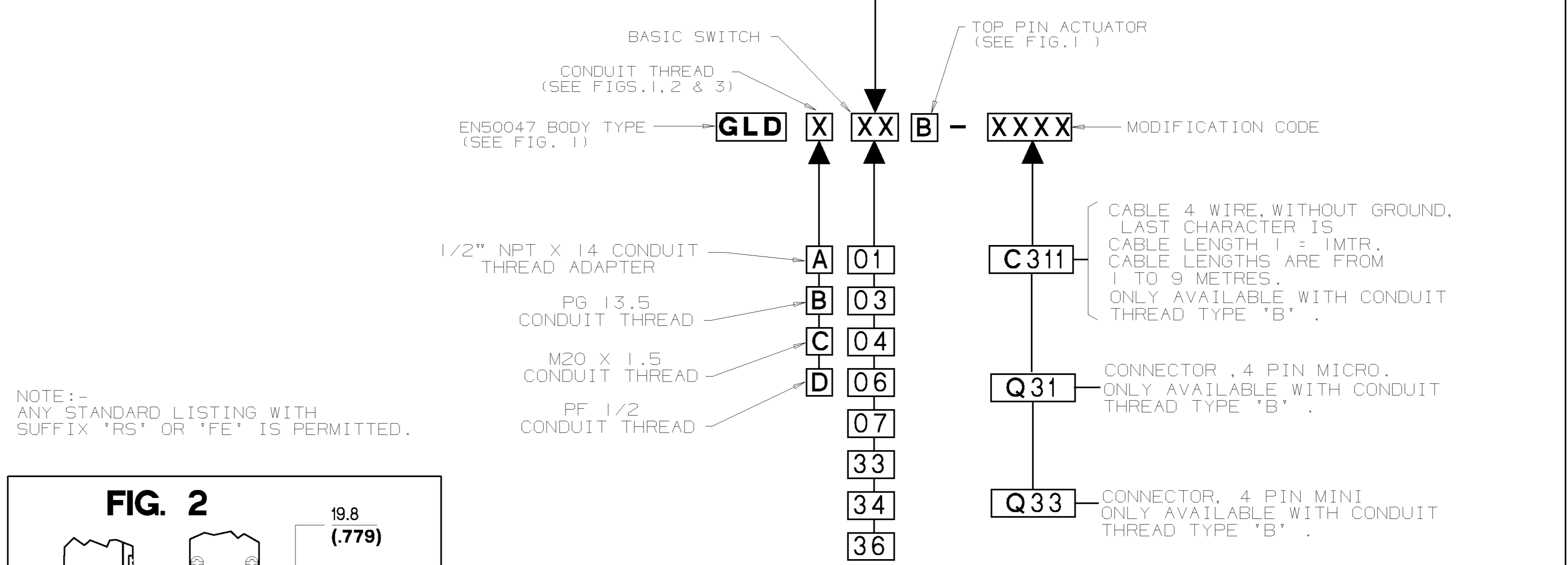
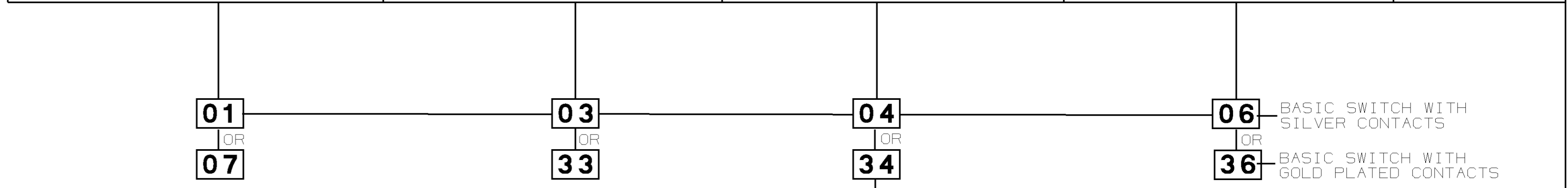
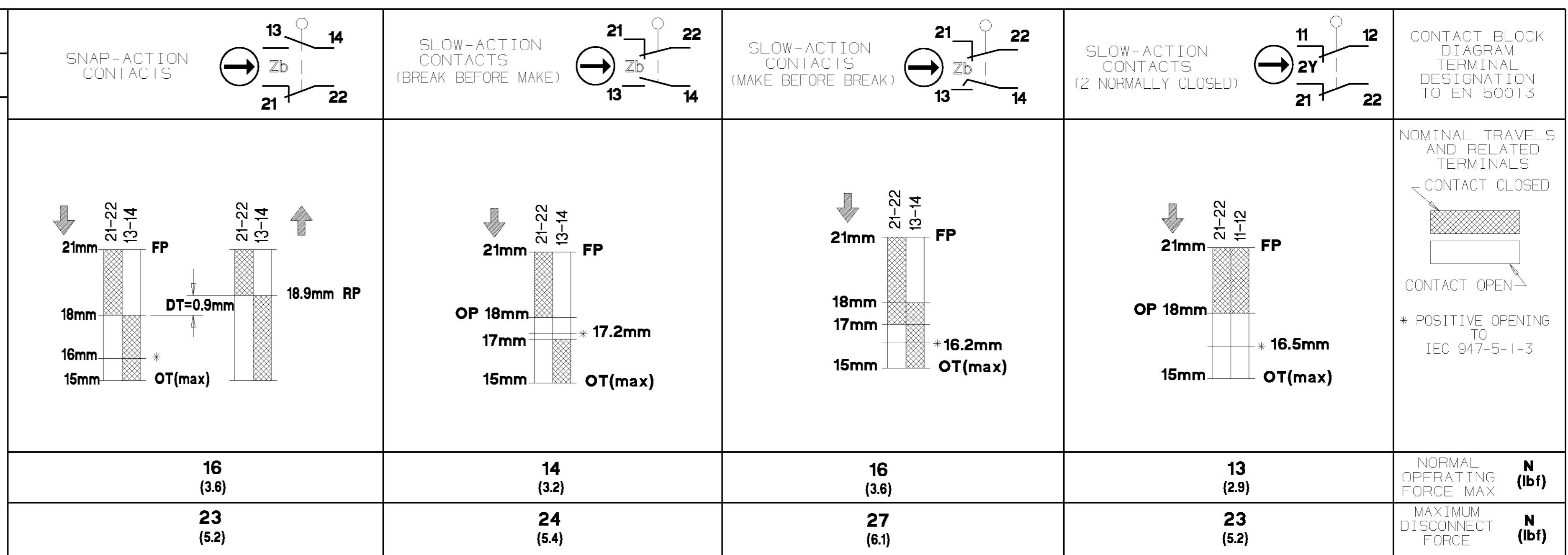
CATALOGUE LISTING  
**GLS**  
CHART NO.  
**MTG-GL-173**



NOTES:-  
1. MICRO SWITCH BLUE GLASS FILLED POLYESTER HOUSING & COVER. BLACK GLASS FILLED POLYAMIDE HEAD.  
2. ENCLOSURE DOUBLE INSULATED TO IEC 539 CLASS II.  
3. MINIMUM OPERATING VELOCITY (V<sub>min</sub>) = 1.0 MM/S (THESE LIMITS APPLY TO CAM OPERATION AS SHOWN IN THE ABOVE DIAGRAMS ONLY)  
MAXIMUM OPERATING VELOCITY (V<sub>max</sub>) = 100 MM/S  
MAXIMUM OPERATING FREQUENCY (F<sub>max</sub>) = 250 OPS/MIN  
4. FREE POSITION (FP), OPERATING POINT (OP), OVERTRAVEL (OT) AND PRETRAVEL (PT) ALL TO EN50047.  
5. MAXIMUM TIGHTENING TORQUE FOR FIXING SCREW = 0.5Nm (4.4in.LB)

NO CHANGES CAN BE MADE TO THIS DRAWING WITHOUT JOINT NEWHOUSE/FREEPORT APPROVAL

IEC 947-5-1 ELECTRICAL RATING				ENVIRONMENTAL		APPROVALS
SILVER CONTACTS			GOLD PLATED CONTACTS		IP66 NEMA 1, 4, 12, 13	UL
AC	AC (FOR 2NC)	DC				
AG00 AC15 Ue Ie	A500 AC15 Ue Ie	Q300 DC13 Ue Ie	I <sub>th</sub> = 10A		TEMP RANGE : -25°C TO 85°C -13°F TO 185°F STORAGE : -40°C TO 85°C -40°F TO 185°F	IEC 947-5-1 EN50047
VOLTS AMPS 120 6 240 3 380 1.9 480 1.5 500 1.4 600 1.2	VOLTS AMPS 120 6 240 3 380 1.9 480 1.5 500 1.4	VOLTS AMPS 120 6 250 0.27	IV 10µA MIN. 50V 100mA MAX.			



NOTE:- ANY STANDARD LISTING WITH SUFFIX 'RS' OR 'FE' IS PERMITTED.



NOTE: FOR CONNECTION DIAGRAMS AND ADDITIONAL ELECTRICAL, ENVIRONMENTAL & DIMENSIONAL INFORMATION SEE DRAWING GL-49212.